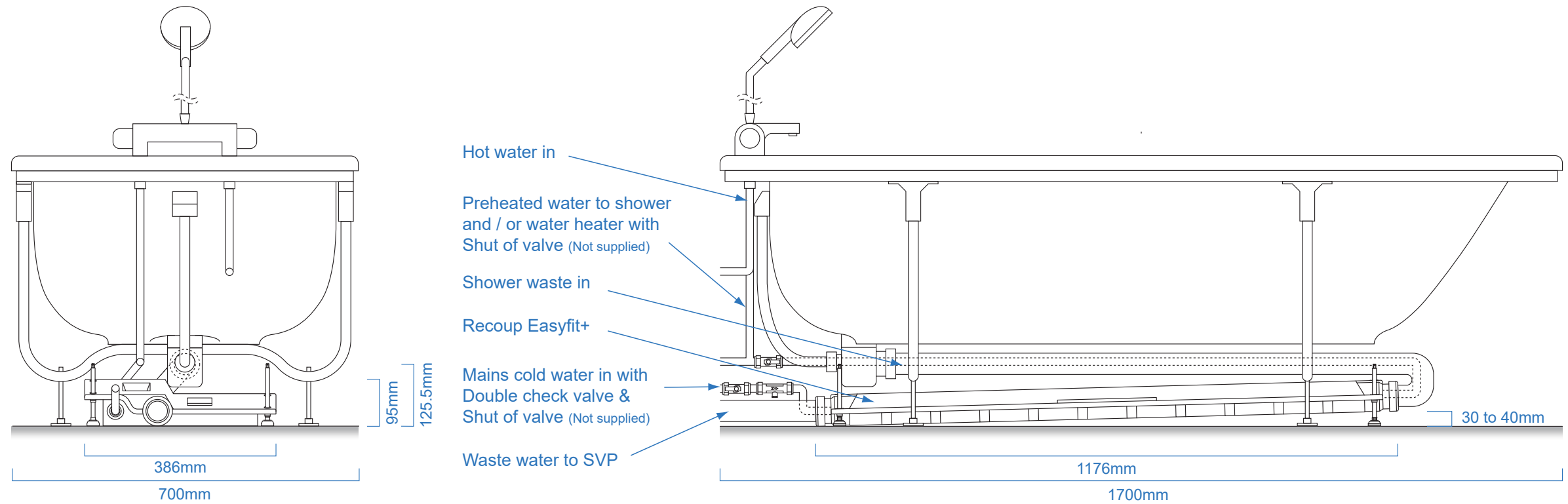
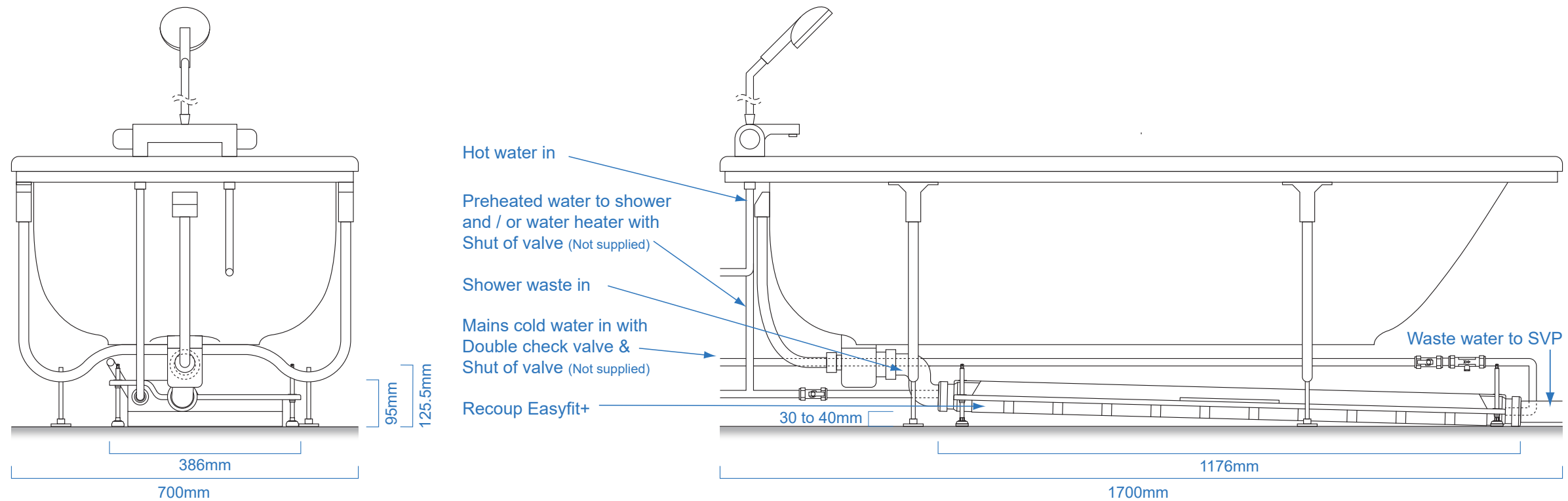


**Installation with bath / shower drain at the same end as the SVP soil waste**



**Installation with bath / shower drain at the opposite end to the SVP soil waste**



These drawings are specific to Waste Water Heat Recovery for Showers (WWHRS). Recoup Energy Solutions Ltd do not hold any responsibility for the design or M&E integration of WWHRS to the cold water services. It is the responsibility of the installer to read the specification and installation instructions. WWHRS drawings and installation documentation must be adhered to. THIS DRAWING REMAINS THE PROPERTY OF RECOUP ENERGY SOLUTIONS LTD.



t: 01379 844010  
e: info@recoup.co.uk  
w: www.recoup.co.uk

Recoup Energy Solutions Ltd  
PO Box 365, Eye,  
IP22 9BH

Title: Recoup Easyfit+ Installation Drawings  
Date: 18 / 01 / 2022  
Scale: Scale 1:10 @ A3