

## TECHNICAL SPECIFICATION RECOUP DRAIN+ COMPACT

WASTE WATER HEAT RECOVERY FOR SHOWERS



- Double-walled copper horizontal heat exchanger
- Designed for integration in wet room spaces
- Patented heat exchanger with built-in shower trap
- Up to 40% heat recovery efficiency \*
- 3 recognised installation methods (System A, B & C)
- Can be incorporated into modular bathrooms
- Case and cover made from brushed stainless steel
- No planned maintenance
- Easy access for cleaning
- SAP listed, SBEM, BREEAM, DEAP & ETL recognised
- Legionella Control risk assessed

### GENERAL DATA

DESCRIPTION	VALUE
Overall unit dimensions	860 x 258 mm
Minimum recess into structural floor	119 mm
Minimum recess from final finished floor level	136 mm
Material - Heat Exchanger	Copper
Shower flow rate range	5 - 12.5 Litres/min
Max. Mains water inlet pressure	10 bar
Min. Mains water inlet pressure	1 bar
Max. Mains water working temp	85 °C
Mains & Preheated water connection	½" male BSP
Waste water connection	40 - 43 mm
Full product weight	12.7 kg
Water volume - mains water	0.48 Litres

### PERFORMANCE & EFFICIENCY

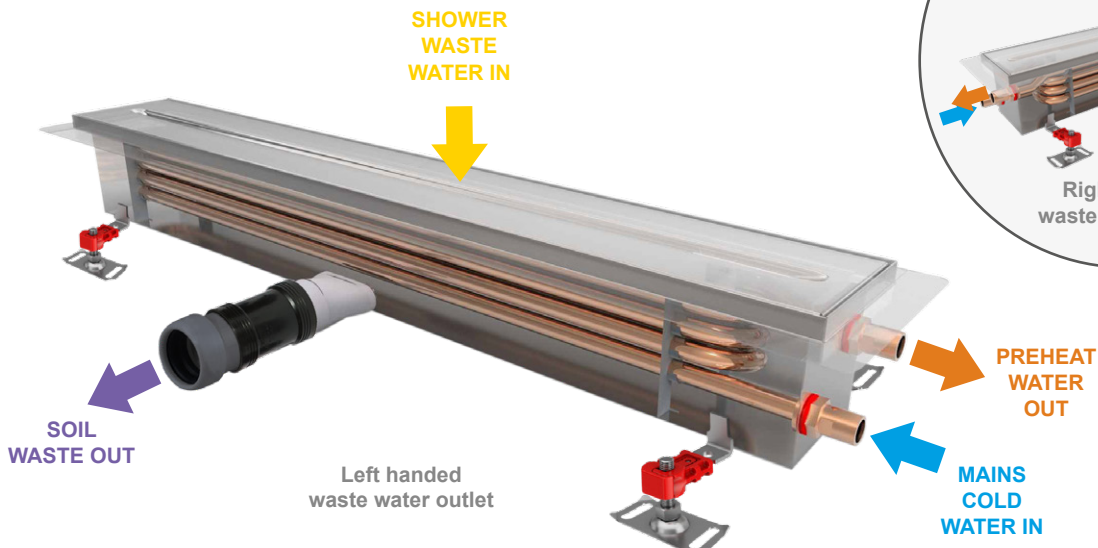
SHOWER FLOW RATE @ 40°C (LITRES/MIN)	DRAIN+ COMPACT EFFICIENCY ( RECOVERED ENERGY KW ) *		
	SYSTEM A	SYSTEM B	SYSTEM C
9.0	38.6% (6.30)	31.0% (5.06)	35.5% (5.80)
9.2	38.1% (6.36)		
11.0	37.0% (7.38)	30.4% (6.07)	33.8% (6.74)
12.5	36.4% (8.25)		

\* Based on KIWA test data and PCDB figures for SAP 2012

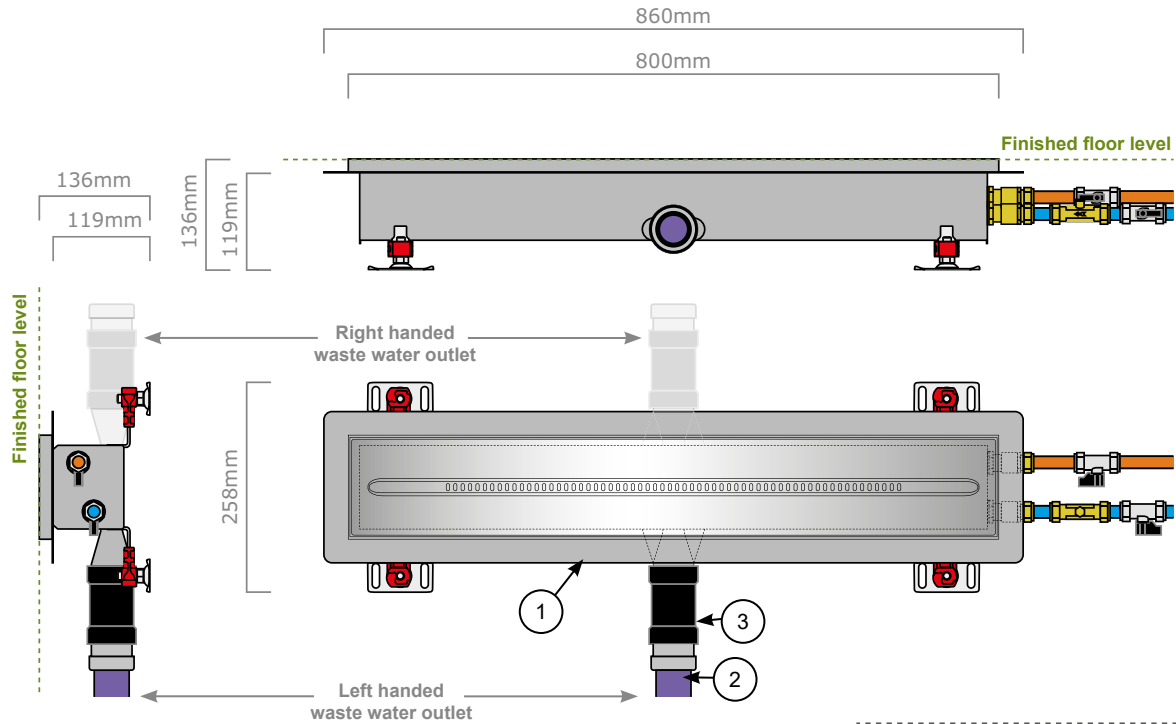
### PRESSURE DROP ON THE MAIN WATER CIRCUIT

SHOWER FLOW RATE @ 40°C (LITRES/MIN)	DRAIN+ COMPACT PRESSURE DROP ( BAR )		
	SYSTEM A	SYSTEM B	SYSTEM C
5.8	0.07	< 0.05	
9.2	0.16	0.10	0.06
12.5	0.25	0.16	0.10

The Recoup Drain+ Compact unit is made with a set left or right handed orientation of the waste water outlet in relation to the mains cold and preheated water connections.



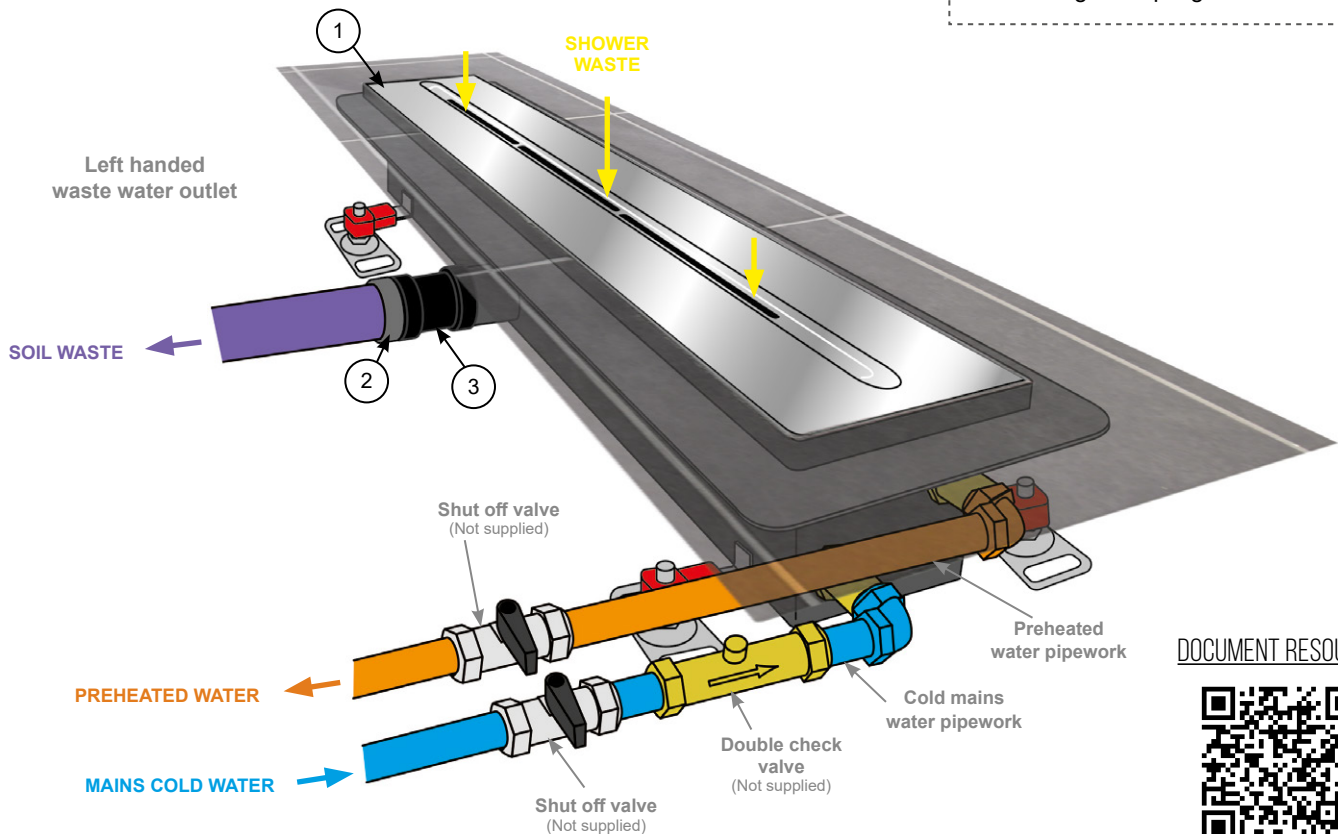
### DRAWINGS & DIAGRAMS



The Recoup Drain+ Compact unit is made with a set left or right hand orientation of the waste water outlet in relation to the mains cold and preheated water connections.

#### COMPONENT KEY

- 1 - RECOUP Drain+ Compact
- 2 - 50mm to 40 - 43mm reducer
- 3 - Straight coupling sleeve

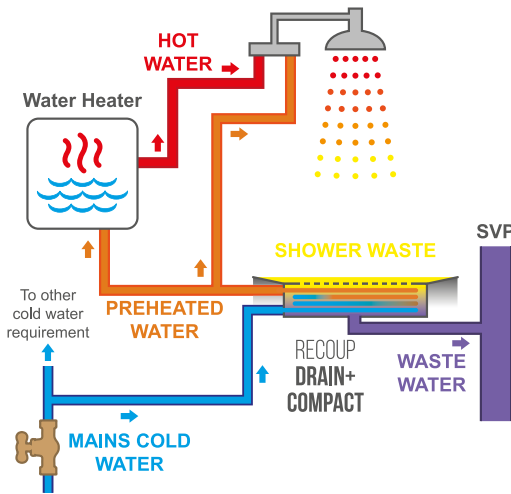


#### DOCUMENT RESOURCE



Click or scan to download our document resource

### INSTALLATION METHODS



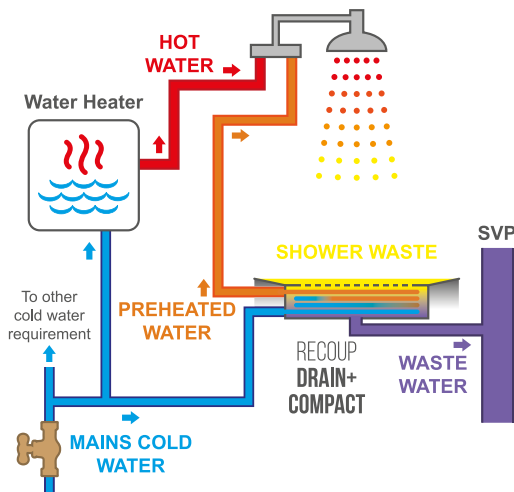
#### SYSTEM A

**Preheated water supplied to shower mixer (cold inlet) and the water heater**

This installation method provides the highest WWHRS efficiency.

Only one WWHRS unit can supply preheated water to the water heater as System A. All secondary WWHRS units should be connected as System B.

To maximise SAP impact, install WWHRS as System A on the primary shower, or in a room with a shower only.

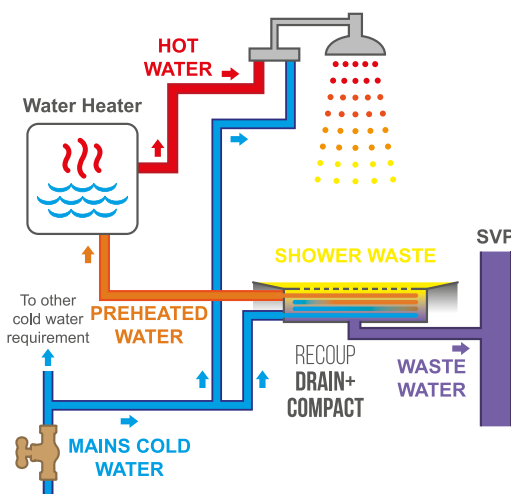


#### SYSTEM B

**Preheated water supplied to shower mixer (cold inlet) on the shower only**

The WWHRS efficiency of this installation method is not as high as System A or C but is the simplest and often the most cost-effective method to install or retrofit.

As preheated water is supplied to the cold side of the shower TMV only, there is no additional connection to the water heater . System B should be used for any secondary showers in a dwelling or where multiple showers are fed from centralised plant.



#### SYSTEM C

**Preheated water supplied to water heater only**

Greater WWHRS efficiencies are produced than System B but lower than System A. Only one WWHRS unit can feed preheated water to the water heater as System C.

Combi-Boiler, Cylinder (Any heat source inc. Boiler, Heat Pump, Direct Electric, Solar Thermal), Heat Interface Unit (HIU) or Thermal Store.

- For more detail watch our [installation method animation](#) here.

### SPECIFYING - RECOUP DRAIN+ COMPACT

Recoup WWHRS | Drain+ Compact | Installed as System A; System B; System C (delete as appropriate) | to (Add shower(s) install location)

Include the line of text above or go to [specify.recoup.co.uk](https://specify.recoup.co.uk) for the full Recoup Drain+ Compact product specification.